

MESH & SOLID SAFETY COVER INSTALLATION GUIDE



Questions?

Phone us at 1-781-297-7422

or email us at customercare@robelleind.com

Congratulations on your purchase of a
Safety Cover from Robelle Industries.

Before you Start

Please fully read these instructions before and during the installation, to ensure a smooth, quick & proper installation.

The Pool Site

Carefully examine the immediate pool area. The deck width around the pool needs to be a minimum of 3 feet. The cover itself will overlap the pool from waters edge approximately 9" - 18" onto the deck surface. The spring and strapping will extend another 17" from covers edge.

Examine the deck surface. Are there any extrusions (obstacles) on the deck surface that would prevent the cover from laying flat? Rough coping ladder sockets, waterspouts, and other items that are not flush with the deck. These surfaces should be padded with carpet, foam or other similar material which will help to protect the cover from chafing.

Tools

You will need the following tools to complete installation.

- Rotary Hammer Drill
- 3/4" Concrete drill bit w/long shaft (diamond tip)
- Lubricant (silicone spray)
- Hammer
- Tape measure
- Chalk and chalk line

Included Safety Cover Hardware

Please examine the following list, and make sure your safety cover includes all the needed hardware.

Standard Hardware

Brass anchors
Stainless steel springs
Stainless steel buckles
Steel installation rods
Allen wrench
Spring covers
Tamper

Optional Hardware

Wood deck anchors
Anchor tubes
Short springs
Anchor flanges
Lawn stakes
Automatic cover pump

Raised Wall Hardware

Eyebolts
Cable
Lag shields

**PLEASE READ ALL DIRECTIONS CAREFULLY BEFORE DRILLING ANY HOLES
ACURATE MEASURING WILL ENSURE A PROPERLY INSTALLED COVER**

STEP 1

Remove the safety cover from the box and carefully unfold.

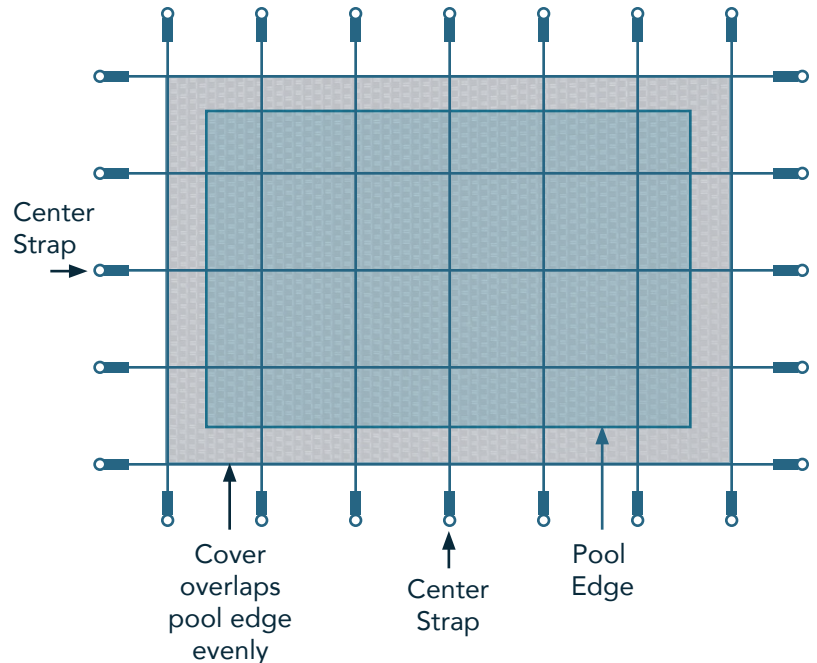
Be sure cover is right side up, and protective strips are on bottom.

Drape cover over the pool, it is easier to leave the water at normal height, as cover will float on water.

Stretch cover evenly over pool as tightly as possible. Water bags or 5 gallon buckets placed on the straps can be used to temporarily secure cover in place.

Adjust cover so that overlap is equal on all sides.

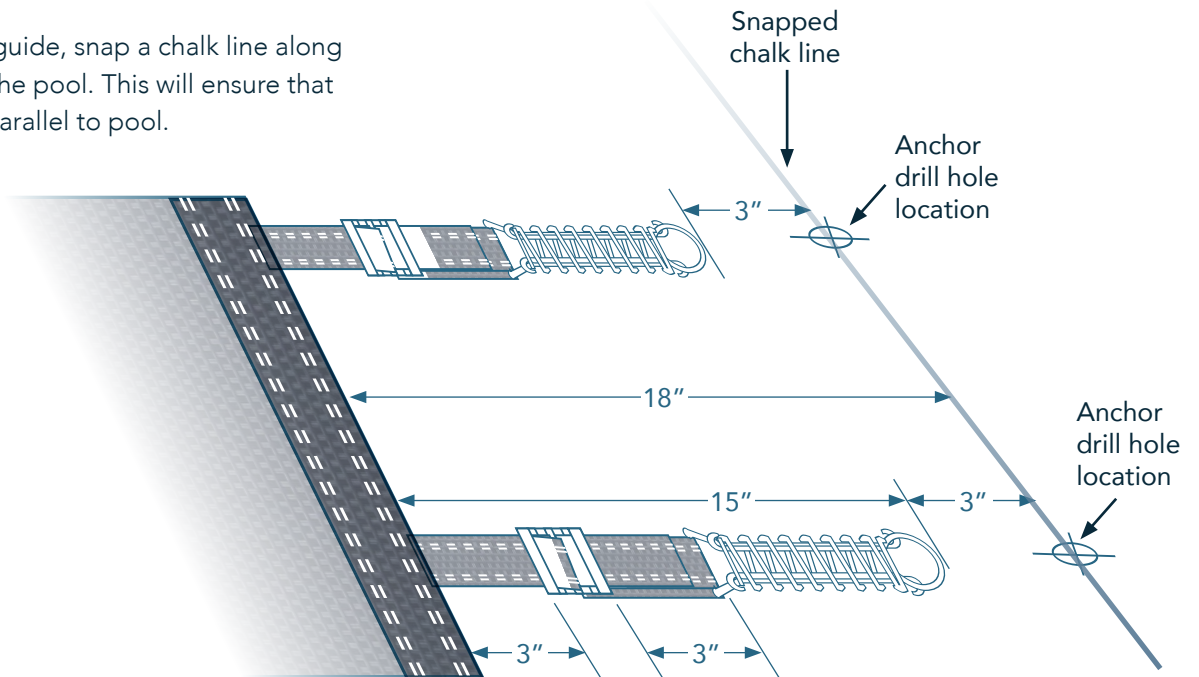
Attach the springs to the straps, leaving about 4" of strap between the covers edge and the buckle, and about 3" between the buckle and the spring. This will allow for adjustment.



STEP 2

Find the center straps along the length and width. Using a piece of chalk, mark a point 3" beyond the uncompressed spring, or about 18" from covers edge.

Using this mark as a guide, snap a chalk line along the whole length of the pool. This will ensure that the anchor's will be parallel to pool.

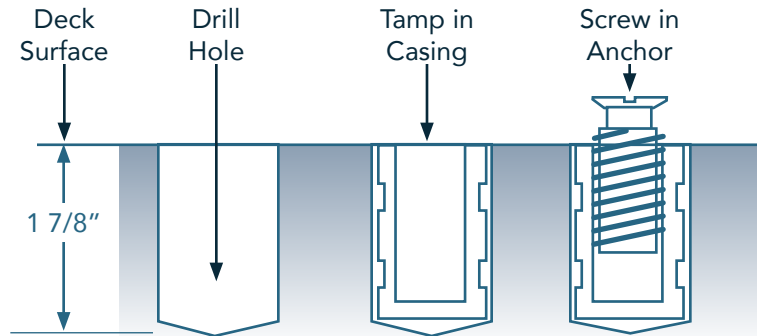


MESH AND SOLID SAFETY COVER INSTALLATION GUIDE
Installing a Safety Cover



STEP 3

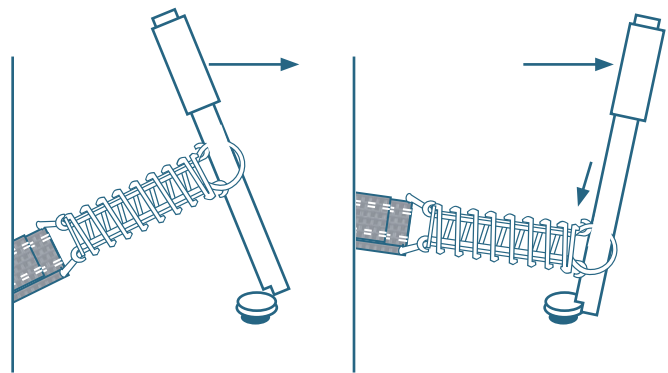
Using a hammer drill and a 3/4" drill bit, set the drill over the marked anchor holes. Keeping the drill perpendicular to the deck surface, drill down 1 7/8" into deck. This allows the anchor to lie flush with deck surface. Drilling dust should be removed from hole. Remove anchor screw from casing and spray casing and tamp tool with silicon.



Insert tamping tool in casing and tamp anchor in place.

STEP 4

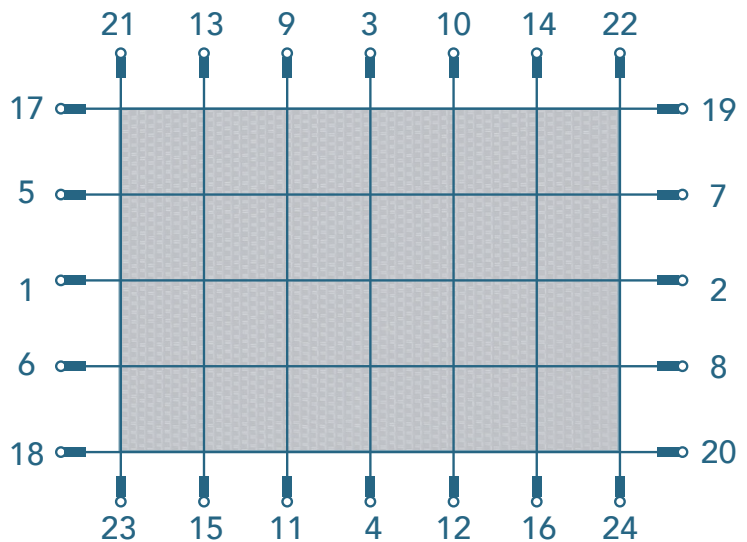
Once the anchor is in place, it's time to attach spring to anchor. Using the included installation rod, slip the notched end of the rod through the round section of the spring. Place the notch over the anchor, and using leverage, pull the installation rod away from the pool so that the spring slides down the rod.



STEP 5

To finish the installation, proceed to the opposite side of the pool, and install the anchor for the same strap. Next install the anchors for the center straps along the width. After installing the center straps along the length and width, install those straps nearest the center along the length.

Use the numbered chart (right) for the proper order of attaching straps.



FREEFORM COVERS

Freeform safety covers are installed the same as standard rectangular covers, freeform covers have an 18" overlap. When initially aligning the cover make sure the overlap is equal on all sides.

It can be difficult to follow anchor installation sequence, remember to install center straps along length and width first. then work your way around pool alternating sides and securing cover to anchor as installed.

WOOD DECK ANCHORS

Install wood deck anchors by drilling a 1 1/2" hole to a depth of 1/8" with a paddle bit.

Then drill a 3/4" hole in the center of the first hole to a depth of 1".

Insert the wood deck anchor into the hole so that the wide part is flush with deck. Lastly, screw brass screw into the four holes to secure anchor.

CUSTOM DECK SURFACES

Brick, stone, pavers or lawn surfaces require additional support for the anchors to maintain tension.

Locate your anchor holes as usual, then drill a 7/8" hole through the brick, stone or pavers 18". Insert brass anchor into tube, and hammer the tube into the hole until anchor is flush with the surface.

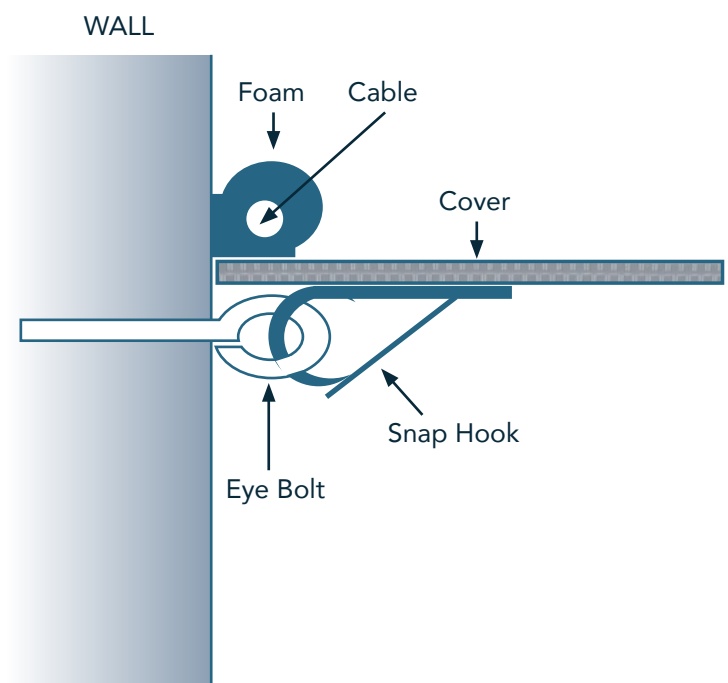
Attach spring to anchor to install cover.

RAISED WALLS

Raised walls require hardware that keeps the cover flush against the wall. To accomplish this a steel cable is used along the wall inside foam along the edge of the cover and is secured by springs on either end of the raised wall.

First drill 5/8" hole into the raised wall where the snap hooks on underside of cover line up to eyebolt (always check with builder of raised wall to assure that drilling will not damage surface of wall).

Snap hooks to eyebolts and attach cable at ends where it meets deck.



Cover must always stretch taut across the pool.
After the initial installation, some stretching
may occur.

Each spring should be compressed 50%, if needed
readjust straps.

Water level in pool can not go below 18" from top,
as cover is designed to set down on water with the
weight of snow and ice. Without proper water level,
the cover will stretch too far, placing undue strain
on cover and voiding the warranty.

Mesh covers are designed to screen out leaves and
large debris. Dust, dirt and other small debris will
filter through cover into pool. Algae will also form
under mesh cover without proper chlorinization and
winterization. Solid covers with mesh panel keep
most debris out of pool. Solid covers without mesh
drain must have automatic pump on cover and
plugged in at all times.

Store the cover in supplied mesh bag when not in
use and store off ground to keep mice and other
animals from getting to the cover.